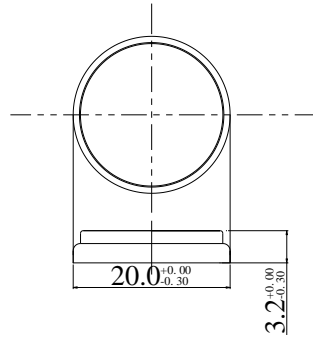


Li/MnO₂ Battery: CR2032HT



Technical data

- Nominal capacity: 200mAh
- Nominal voltage: 3.0V
- Standard discharge current: 0.2mA
- Max. pulse discharge current: 10mA
- Max. continuous discharge current: 2mA
- Working temperature range: -40°C ~ +125°C
- Weight: 3.0g
- Acceleration resistance: Max. 3300G

U.L. Component Recognition (MH28717)

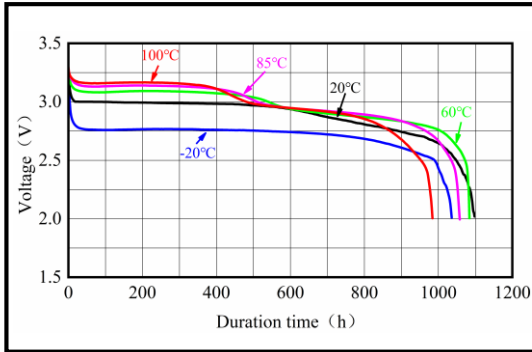
Applications

- TPMS
- Smart Meter
- Memory Backup

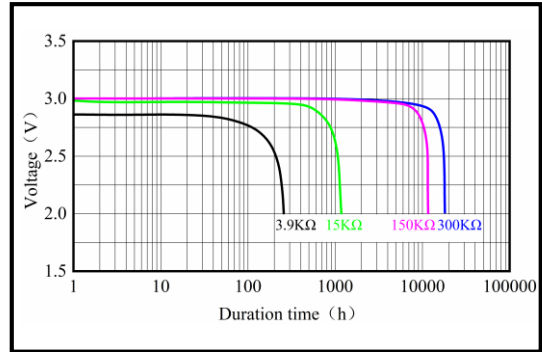
Features & Benefits

- Ultra-wide temperature range
- Stable output under high-speed centrifugation
- Excellent sealing performance
- Low self-discharge rate

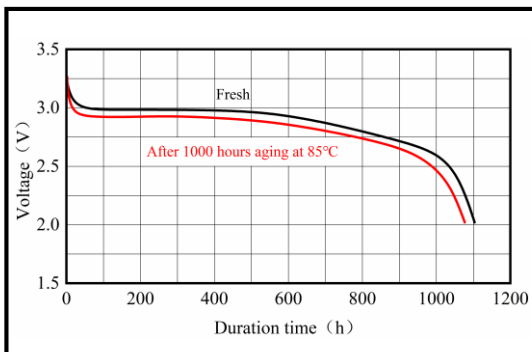
1. Temperature Characteristics Load: 15KΩ



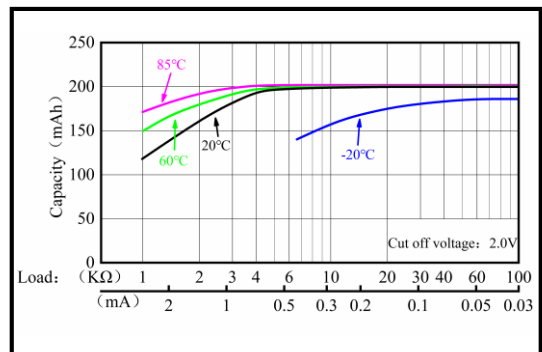
2. Discharge Characteristics (20°C)



3. Storage for 1000h at 85°C Load: 15KΩ (20°C)



4. Capacity VS. Load Resistance



WARNING:

Fire, explosion and severe burn hazard. Do not recharge, crush, disassemble, heat above 150°C (302°F), incinerate or expose contents to water. Do not solder directly to the cell, use tabbed cell instead.

ATTENTION:

Consult EVE when using batteries at temperature exceeding the -20°C ~ +85°C range. The above data comes from EVE's laboratory, any representations in this document concerning performance are for informational purpose only. EVE Energy Co., Ltd reserves the right to interpret this data.



Official website

Issued in Nov.2022