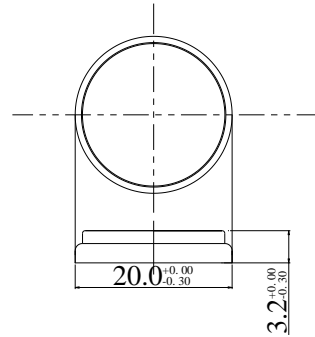


Li/MnO₂ Battery: CR2032



Technical data

- Nominal capacity: 225mAh
- Nominal voltage: 3.0V
- Standard discharge current: 0.2mA
- Max. pulse discharge current: 20mA
- Max. continuous discharge current: 3mA
- Working temperature range: -20°C ~ +60°C
- Weight: 3.2g

U.L. Component Recognition (MH28717)

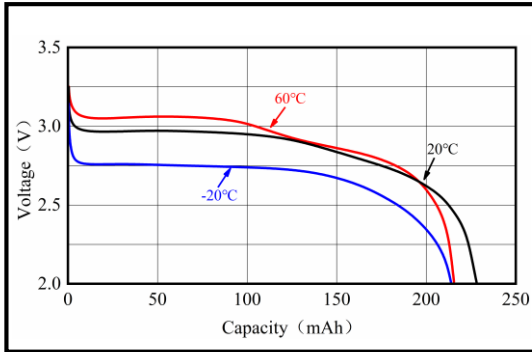
Applications

- Glucometer
- Remote control
- ESL
- Positioning and tracking

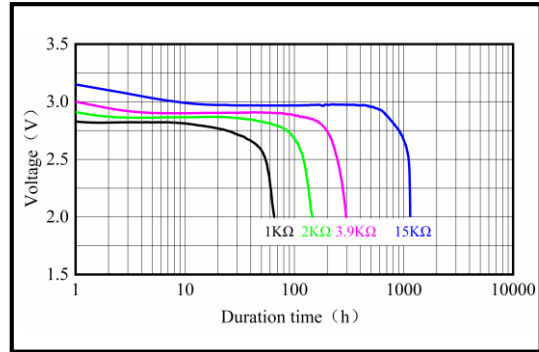
Features & Benefits

- High pulse current
- High energy density
- Low self-discharge rate

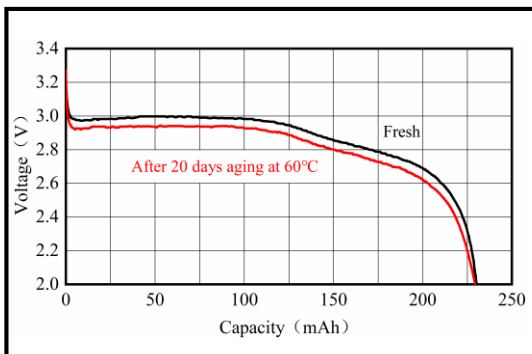
1. Temperature Characteristics Load: 15KΩ



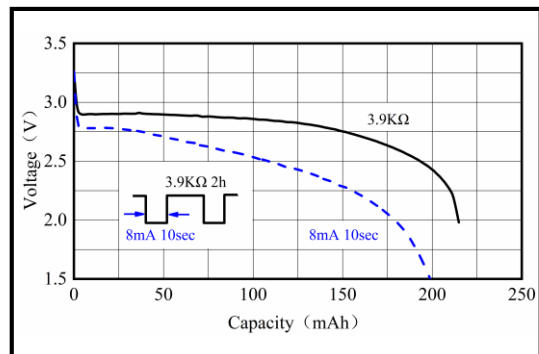
2. Discharge Characteristics (20°C)



3. Storage Characteristics Load: 15KΩ (60°C)



4. Pulse Discharge Characteristics (20°C)



WARNING:

Fire, explosion and severe burn hazard. Do not recharge, crush, disassemble, heat above 85°C (185°F), incinerate or expose contents to water. Do not solder directly to the cell, use tabbed cell instead.

ATTENTION:

Consult EVE when using batteries at temperature exceeding the -10°C ~ +50°C range. The above data comes from EVE's laboratory, any representations in this document concerning performance are for informational purpose only. EVE Energy Co., Ltd reserves the right to interpret this data.



Official website

Issued in Nov.2022