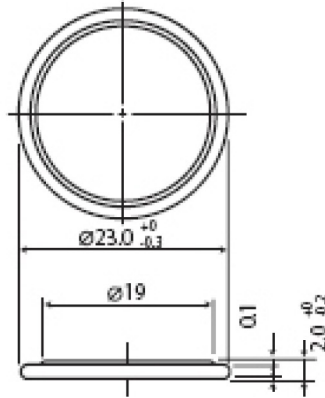




# CR2320

Lithium Manganese Dioxide  
(Li-MnO<sub>2</sub>) Coin Batteries

Dimensions(mm)

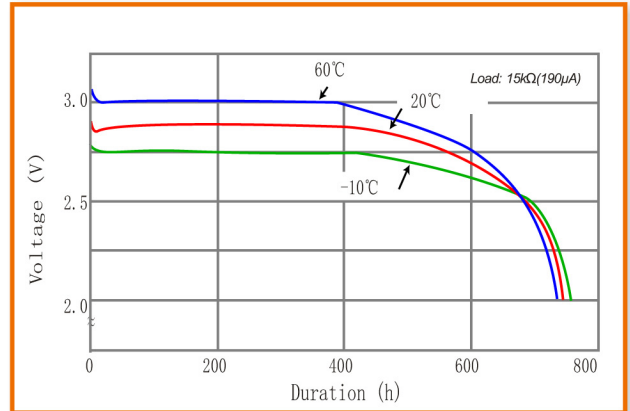


Nominal capacity (15K $\Omega$ , 2.0V off)	150mAh
Nominal voltage	3.0V
Max. constant current	6mA
Max. pulse current	25mA
Operating temperature	-20~+70 $^{\circ}$ C
Weight	2.9g

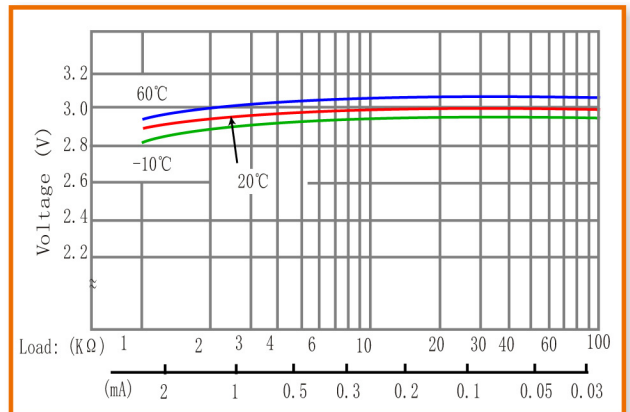
## WARNING

- Do not short-circuit between "+" and "-" terminals.
- Do not charge, damage the battery or throw it into fire.
- Do not solder directly on the battery. Please use wire or nickel sheet by spot welding.
- Take out the battery when discharged to cut-off voltage, and dispose of according to the national and local laws.

### 1. TEMPERATURE CHARACTERISTICS



### 2. OPERATING VOLTAGE VS. LOAD RESISTANCE



### 3. CAPACITY VS. LOAD RESISTANCE

