

LP 656194 Lithium Polymer Battery

Brief Datasheet

1 BASIC SPECIFICATION

| | | | |
|----|---------------------------|---|--------------------------|
| 1 | Battery Type | LP 656194 | |
| 2 | Nominal Capacity | Typical | 4000mAh (0.2C discharge) |
| | | Minimum | 3800mAh (0.2C discharge) |
| 3 | Nominal Voltage | 3.7V(0.2C discharge) | |
| 4 | Charging Voltage | 4.2V±0.05V | |
| 5 | Standard Charge | Method: CC/CV (constant current/constant voltage) Current:1900mA (0.5C) Voltage:4.2V EndCurrent:76mA (0.02C) | |
| 6 | Maximum Charge Current | 3800mA (1C) | |
| 7 | Standard Discharge | Method: CC (constant current) Current: 760mA (0.2C) End Voltage:2.75V | |
| 8 | Maximum Discharge Current | 7600mA (2C) | |
| 9 | Weight | Approx.78.5 ± 8.0g | |
| 10 | Operating temperature | Charge: 0°C to 45°C Discharge: -20°C to 60°C | |
| 11 | Storage Temperature | -20°C to 45°C | |
| 12 | Cycle life | 500cycles (at 0.5C charge and discharge, 23°C) | |

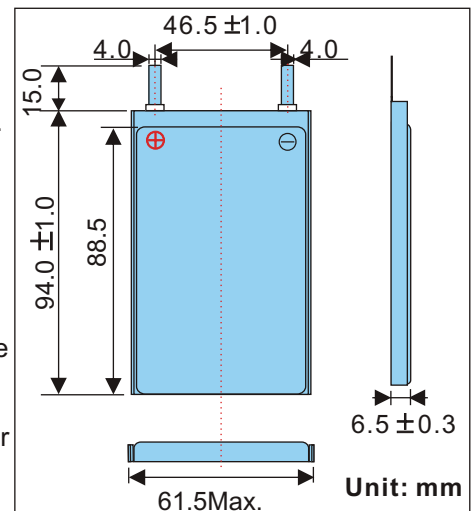
Note: 1C = 1 Capacity

2 MAIN FEATURES

- Thin format, light weight, large area, and flexibility in design.
- Easily customized, Energy density, High capacity.

3 WARNING

- Do not overcharge, force charge, short circuit, disassemble, deform, heat or place the battery near a direct flame. Any of the above actions could cause it to ignite, explode or become damaged.
- Keep this battery out of the reach of children.
- When storing the battery or throwing it away, be sure to cover with tape.



Li-Polymer