

LP675776 Lithium ion Polymer Battery

Brief Datasheet

1 BASIC SPECIFICATION

1	Battery Type	LP675776	
2	Nominal Capacity	Typical	3000mAh (0.2C discharge)
		Minimum	2800mAh (0.2C discharge)
3	Nominal Voltage	3.7V(0.2C discharge)	
4	Charging Voltage	4.2V± 0.05V	
5	Standard Charge	Method: CC/CV (constant current/constant voltage) Current:1400mA (0.5C) Voltage:4.2V EndCurrent:56mA (0.02C)	
6	Maximum Charge Current	2800mA (1C)	
7	Standard Discharge	Method: CC (constant current) Current: 560mA (0.2C) End Voltage:2.75V	
8	Maximum Discharge Current	5600mA (2C)	
9	Weight	Approx.60 ± 6g	
10	Operating temperature	Charge: 0°C to 45°C Discharge: -20°C to 60°C	
11	Storage Temperature	-20°C to 45°C	
12	Cycle life	500cycles (at 0.5C charge and discharge, 23°C)	

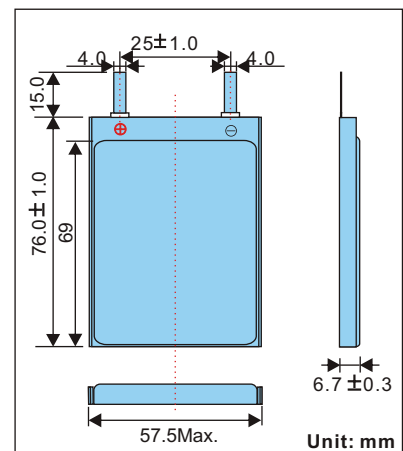
Note: 1C = 1 x Capacity mA

2 MAIN FEATURES

- Thin format, light weight, large area, and flexibility in design.
- Easily customized, Energy density, High capacity.

3 WARNING

- Do not overcharge, force charge, short circuit, disassemble, deform, heat or place the battery near a direct flame. Any of the above actions could cause it to ignite, explode or become damaged.
- Keep this battery out of the reach of children.
- When storing the battery or throwing it away, be sure to cover with tape.



Li-Polymer