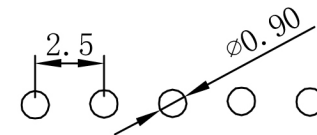
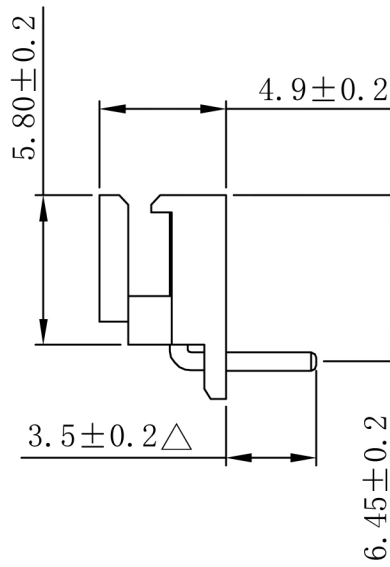
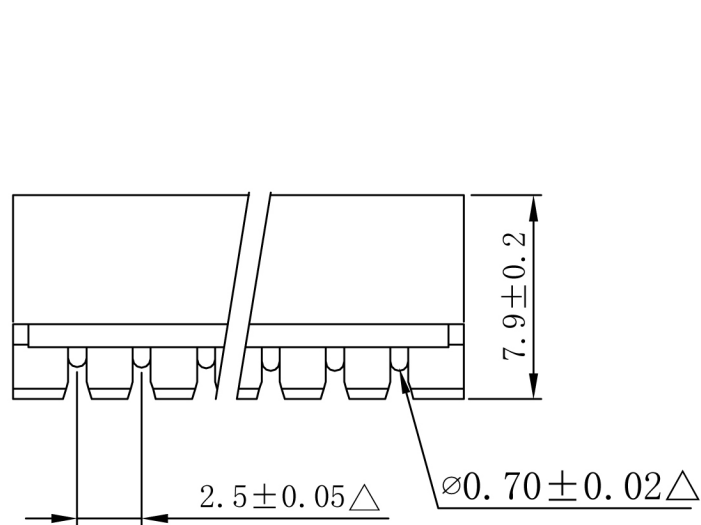


SPECIFICATIONS

Current rating	: 3A AC, DC
Voltage rating	: 250V AC, DC
Temperature range	: -25°C ~ +85°C
Contact resistance	: 20m ΩMax
Insulation resistance	: 1000M ΩMin
Withstanding voltage	: 1000 V AC/minute
Pin Material	: Brass
Finished	: Tin-plated
Housing Material	: Nylon-66, UL94 V-0
Color	: Beige

Circuits	Dimension mm	
	A	B
2PIN	2.50	7.50
3PIN	5.00	10.00
4PIN	7.50	12.50
5PIN	10.00	15.00
6PIN	12.50	17.50
7PIN	15.00	20.00
8PIN	17.50	22.50
9PIN	20.00	25.00
10PIN	22.50	27.50
11PIN	25.00	30.00
12PIN	27.50	32.50
13PIN	30.00	35.00
14PIN	32.50	37.50
15PIN	35.00	40.00
16PIN	37.50	42.50



P. C. B Hole Layout

DESCRIPTION (內容): 2.5mm Pin Wafer 90° Ø0.7mm (環保材料)	DRAWN(製圖): 周立軍	GENERAL TOLERANCE:(公差)	REV: A/3	REV	DESCRIPTION	DATE	
	CHECKED(確認):	.0 ±0.20 .00 ±0.15 .000 ±0.10	UNIT: mm	1	△此符號表示重點管控尺寸	2007.08.03	
	PART NO: (料號) CB-W250R-XX	APPROVAL(核准):	SCALE(比例): 1:XX	SIZE: A4	2	尺寸3.5±0.15改為3.5±0.2	2007.08.23
	DWG NO(圖號):			SHEET: 1/1	3		
				4			