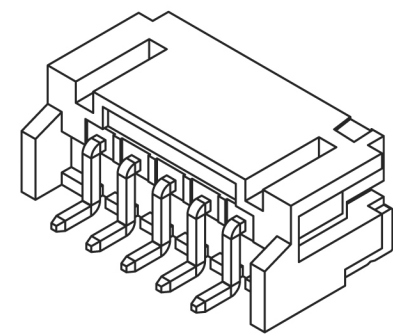
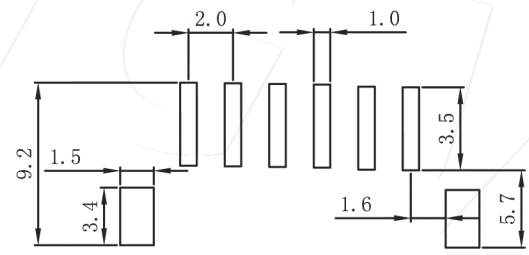
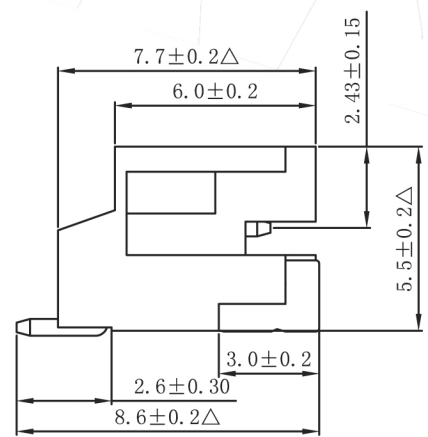
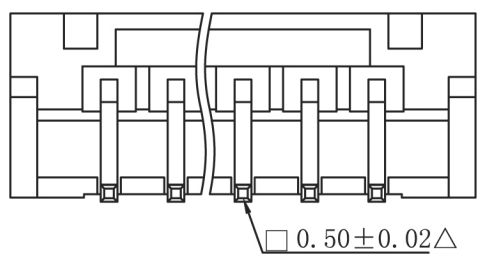


剖視圖 A-A



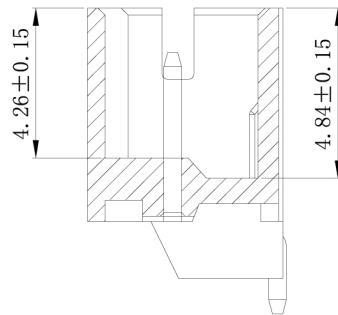
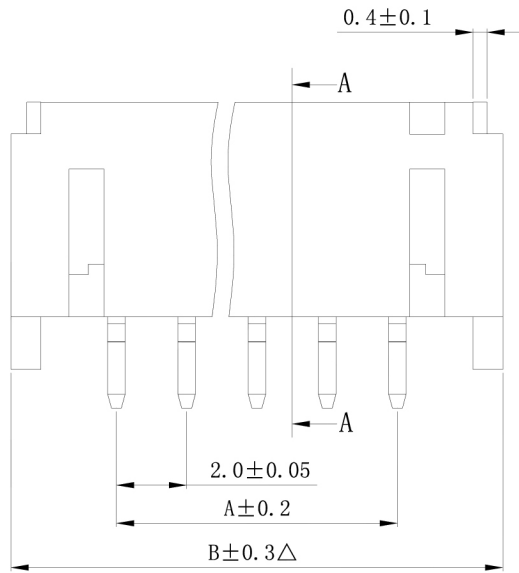
SPECIFICATIONS
 Current rating :2A AC, DC
 Voltage rating :100V AC, DC
 Temperature range :-25°C~+85°C
 Contact resistance :20mΩMax
 Insulation resistance :1000MΩMin
 Withstanding voltage :800 V AC/minute
 Finished :Tin-plated
 Housing Material :Nylon-6T, UL94 V-0
 Color :Nature (Beige)



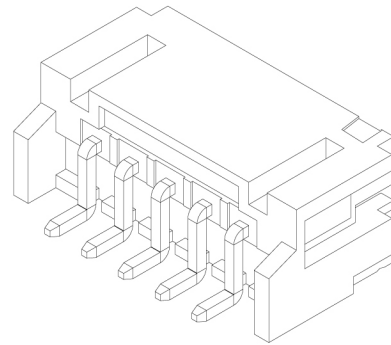
P.C.B Hole Layout

PARTS NO.	Circuits	Dimension mm	
		A(mm)	B(mm)
CCP-W20R-02-SMT	02	2.0	8.0
CCP-W20R-03-SMT	03	4.0	10.0
CCP-W20R-04-SMT	04	6.0	12.0
CCP-W20R-05-SMT	05	8.0	14.0
CCP-W20R-06-SMT	06	10.0	16.0
CCP-W20R-07-SMT	07	12.0	18.0
CCP-W20R-08-SMT	08	14.0	20.0
CCP-W20R-09-SMT	09	16.0	22.0
CCP-W20R-10-SMT	10	18.0	24.0
CCP-W20R-11-SMT	11	20.0	26.0
CCP-W20R-12-SMT	12	22.0	28.0
CCP-W20R-13-SMT	13	24.0	30.0
CCP-W20R-14-SMT	14	26.0	32.0
CCP-W20R-15-SMT	15	28.0	34.0
CCP-W20R-16-SMT	16	30.0	36.0

DESCRIPTION(內容): 2.0mm Pin Wafer 90° SMT □=0.5 (環保材料) PART NO: (料號) CCP-W20R-XX-SMT DWG NO(圖號):	DRAWN(製圖): 王建平	GENERAL TOLERANCE: (公差)	REV: A/5	REV 1	DESCRIPTION △此符号为重点管控尺寸	DATE 2006.07.24	
	CHECKED(確認):	.0 ±0.20 .00 ±0.15 .000 ±0.10	UNIT: mm				REV 2
	APPROVAL(核准):	SCALE(比例): 1:XX		SIZE: A4	REV 3	DESCRIPTION 增加2.6±0.3尺寸	DATE 2013.02.18
	SHEET: 1/1	REV 4	DATE	SHEET: 1/1	DATE	DATE	

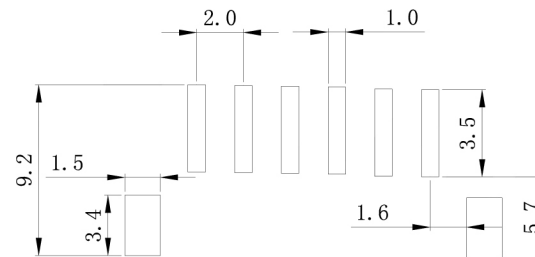
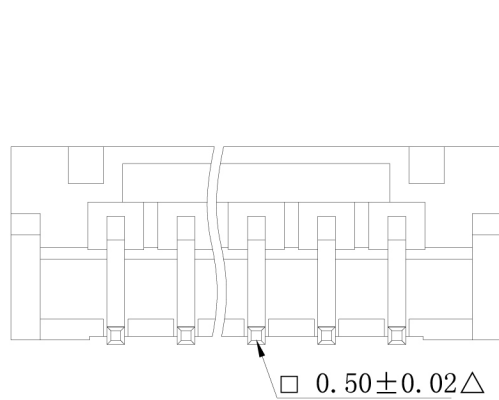


剖視圖 A-A



SPECIFICATIONS

Current rating	:2A AC, DC
Voltage rating	:100V AC, DC
Temperature range	: -25°C ~ +85°C
Contact resistance	: Initial Value/10mΩ Max. After environmental testing 20mΩ Max.
Insulation resistance	:1000MΩmin
Withstanding voltage	:800 VAC/minute
Finished	:Tin-plated
Housing Material	:Nylon-6T, UL94 V-0
Color	:Nature (Beige)



P.C.B Hole Layout

PARTS NO.	Circuits	Dimension mm	
		A(mm)	B(mm)
CCP-W20R-02-SMTR	02	2.0	8.0
CCP-W20R-03-SMTR	03	4.0	10.0
CCP-W20R-04-SMTR	04	6.0	12.0
CCP-W20R-05-SMTR	05	8.0	14.0
CCP-W20R-06-SMTR	06	10.0	16.0
CCP-W20R-07-SMTR	07	12.0	18.0
CCP-W20R-08-SMTR	08	14.0	20.0
CCP-W20R-09-SMTR	09	16.0	22.0
CCP-W20R-10-SMTR	10	18.0	24.0
CCP-W20R-11-SMTR	11	20.0	26.0
CCP-W20R-12-SMTR	12	22.0	28.0
CCP-W20R-13-SMTR	13	24.0	30.0
CCP-W20R-14-SMTR	14	26.0	32.0
CCP-W20R-15-SMTR	15	28.0	34.0
CCP-W20R-16-SMTR	16	30.0	36.0

DESCRIPTION(內容): 2.0mm Pin Wafer 90° SMT □=0.5 REEL包裝(環保材料) PART NO: (料號) CCP-W20R-XX-SMTR DWG NO(圖號):	DRAWN(製圖): 黃炳秋	GENERAL TOLERANCE: (公差) .0 ±0.20 .00 ±0.15 .000 ±0.10	REV: A/4 UNIT: mm SIZE: A4 SHEET: 1/1	REV 1 2 3 4	DESCRIPTION △此符号为重点管控尺寸 變更電氣性能描述	DATE 2006.07.24 2013.08.14
	CHECKED(確認):	SCALE(比例): 1:XX				
	APPROVAL(核准):					