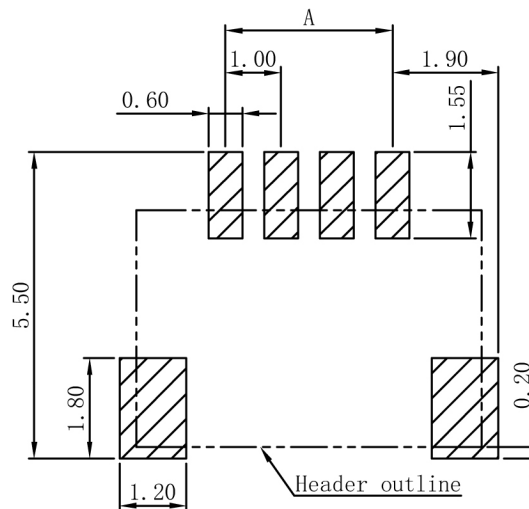
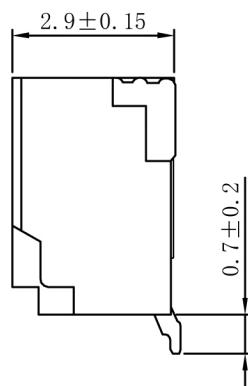
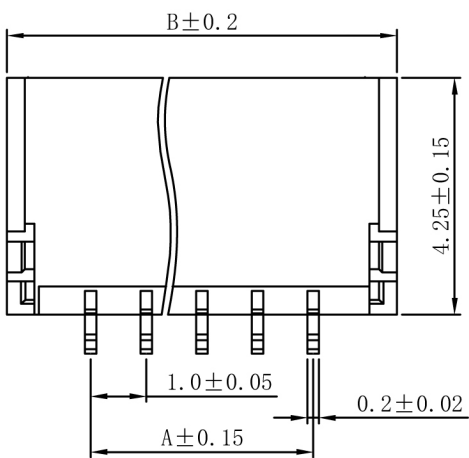


SPECIFICATIONS

Current rating : 1A AC, DC  
 Voltage rating : 50V AC, DC  
 Temperature range : -25°C ~ +85°C  
 Contact resistance : 20m ΩMax  
 Insulation resistance : 100M ΩMin  
 Withstanding voltage : 500 V AC/minute  
 Pin Material : Phosphor Bronze  
 Finished : Tin-plated  
 Housing Material : Nylon-6T, UL94 V-0  
 Color : Natural

1

1



P.C.B Layout

Circuits	Dimension mm	
	A	B
2PIN	1.00	4.00
3PIN	2.00	5.00
4PIN	3.00	6.00
5PIN	4.00	7.00
6PIN	5.00	8.00
7PIN	6.00	9.00
8PIN	7.00	10.00
9PIN	8.00	11.00
10PIN	9.00	12.00
11PIN	10.00	13.00
12PIN	11.00	14.00
13PIN	12.00	15.00
14PIN	13.00	16.00
15PIN	14.00	17.00
16PIN	15.00	18.00
17PIN	16.00	19.00
18PIN	17.00	20.00
19PIN	18.00	21.00
20PIN	19.00	22.00

2

2

3

3

DESCRIPTION(內容):  
**1.0mm Wafer 90° SMT**  
 (環保材料)

PART NO:  
 (料號) **CCSH-W10R-XX**

DWG NO(圖號):

DRAWN(製圖):  
 袁仕潤

CHECKED(確認):

APPROVAL(核准):

GENERAL TOLERANCE:  
 (公差)

.0 ±0.20  
 .00 ±0.15  
 .000 ±0.10

SCALE(比例):

1:XX

REV:  
**A/7**

UNIT:  
**mm**

SIZE:  
**A4**

SHEET:  
**1/1**

REV

1

2

3

4

DESCRIPTION

△此符號表示重點管控尺寸

料號由CSH-W10R-XX改為CCSH-W10R-XX

五金材質磷青銅改為黃銅

五金材質黃銅改為磷青銅

修改Layout圖

DATE

2007.08.04

2007.10.10

2008.04.11

2008.05.22

2008.11.26

2009.06.15

A

B

C

D

E