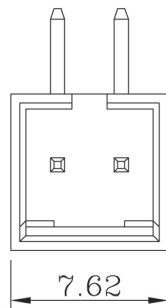
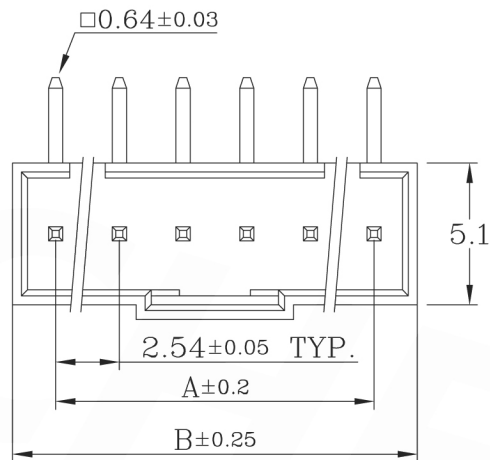
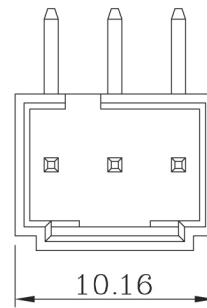


所有材料為
"環保材料"
2006.7.27
RoHS

DESCRIPTION(內容): 2.54mm (.100") Pitch Wire-to-Board Header	DRAWN(製圖): mimi	GENERAL TOLERANCE: (公差) .000 : ±0.08 .00 : ±0.13 .0 : ±0.25	REV: R2	REV	DESCRIPTION	DATE	
	CHECKED(確認): MANDY		UNIT: mm	R0		RELEASE(RoHS) & DIP標示位置更正 修改接觸阻抗單位	2006.07.27 2006.11.18
	PART NO: (料號) CPU-XX	APPROVAL(核准): JOHNNY	SCALE(比例): FREE	SIZE: A4	R1	2007年圖面版本更新 變更電鍍成份 (Tin→Gold)	2007.10.09 2008.05.08
	DWG NO(圖號): 2545-RT			SHEET: 1/1	R2	補充尺寸(A)	2008.12.26



2 Circuit



3 Circuit

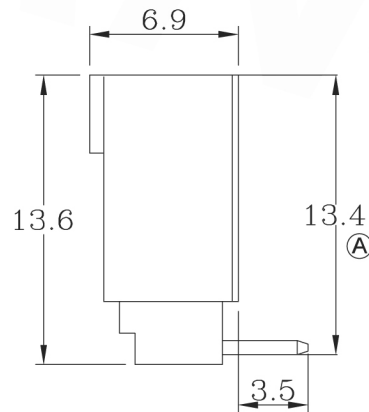
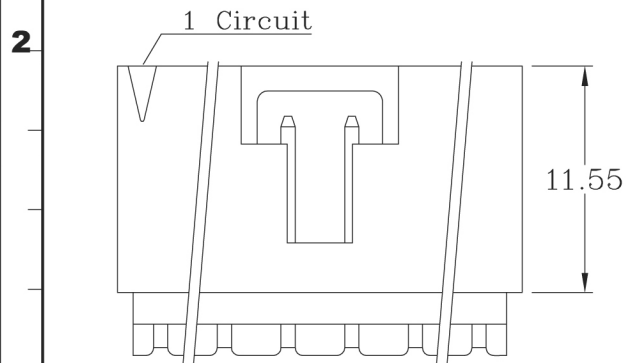
Specifications:

- Material:
 - Base: Polyester 94V-0, PBT+30% glass-filled
 - Contact: Brass, Gold-Plated
 - Voltage Rating: 250V
- Current Rating: 3A
- Withstand Voltage: 1000V AC/Minute
- Insulation Resistance: 1000MΩ min.
- Temperature Range: -25°C~+85°C
- Contact Resistance: Initial value/10mΩ max.
After environmental testing/20mΩ max.

Dimensional & Ordering Information:

Circuits	Part No	Dimensions mm	
		A	B
13	CPU-13	30.48	35.56
14	CPU-14	33.02	38.10
15	CPU-15	35.56	40.64
16	CPU-16	38.10	43.18
17	CPU-17	40.64	45.72
18	CPU-18	43.18	48.26

NOTE: MOQ 200KPIN



所有材料為
"環保材料"
2006.7.27
RoHS

DESCRIPTION(內容):	DRAWN(製圖):	GENERAL TOLERANCE:	REV:	REV	DESCRIPTION	DATE
2.54mm (.100") Pitch Wire-to-Board Header	mimi	(公差)	R2	R0	RELEASE	2007.10.09
	CHECKED(確認):	.000 : ±0.08	UNIT:	R1	變更電鍍成份 (Tin→Gold)	2008.05.08
PART NO:	MANDY	.00 : ±0.13	mm	R2	補充尺寸 (A)	2008.12.26
(料號) CPU-XX	APPROVAL(核准):	.0 : ±0.25	SIZE:	R3		
DWG NO(圖號): 2545-RT	JOHNNY	SCALE(比例):	A4			
		FREE	SHEET:			
			1/1			