

TOS-F8106BMB-N

Single Digit Display LED

Part Number	Chip		Face Color	Segment Color
	Material	Source Color		
TOS-F8106BMB-N	InGaN	Hi-blue	Gray	White

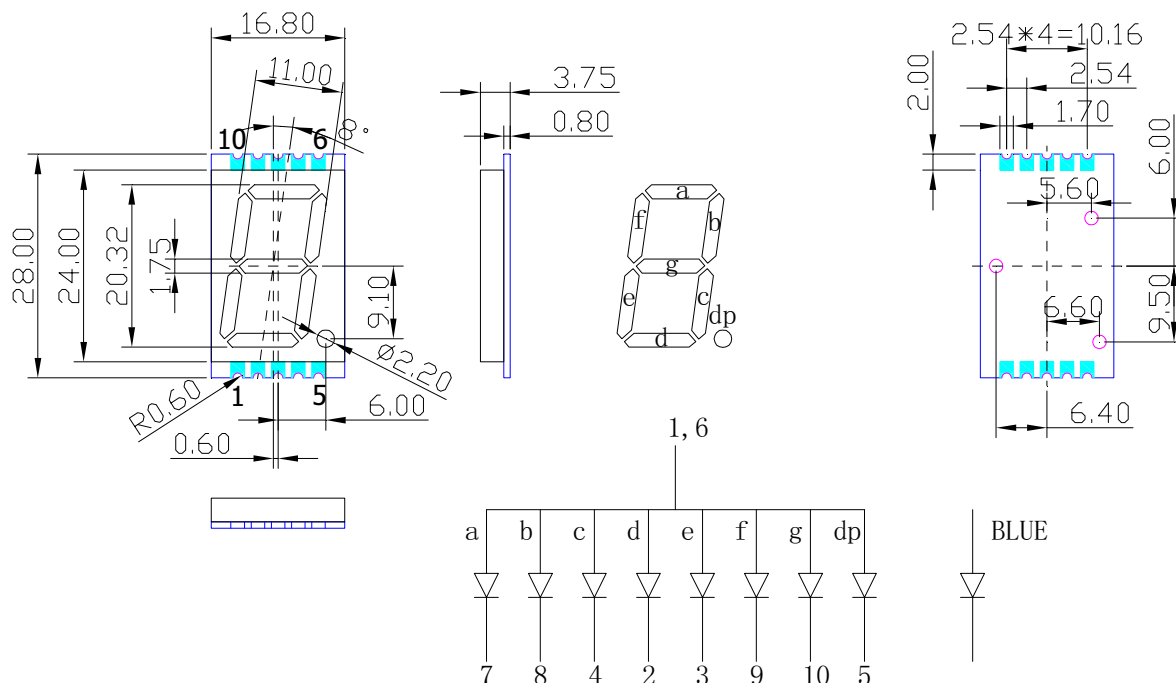
Features

- (0.8") 20.32mm digit height
- Common anode
- I.C. compatible
- Low power consumption
- RoHS compliant

Applications

- Audio equipment
- Instrument panels
- Digital read out display

Package Dimensions & Internal Circuit Diagram



Notes:

1. All dimensions are in millimeters, tolerance: ± 0.25 ; Angle: $\pm 0.1^\circ$ unless otherwise noted.
2. Specifications are subject to change without notice.

Absolute Maximum Rating @ Ta=25°C

Parameter	Maximum Rating	Unit
Peak Forward Current (1/10 Duty Cycle, 0.1ms Pulse Width) Per Dice	80	mA
Power Dissipation Per Dice	105	mW
Continuous Forward Current Per Dice	20	mA
Recommend Operating Current Per Dice	12	mA
Reverse Voltage Per Dice	5	V
Operating Temperature Range	-25°C to +85°C	
Storage Temperature Range	-30°C to +85°C	
Lead-Free Solder Temperature	250°C for 10 Sec	

Electrical / Optical Characteristic @ Ta=25°C

Parameter	Symbol	Min.	Typ.	Max.	Unit	Test Condition	Grade
Dominant Wavelength	λ_d		465		nm	$I_F=20\text{mA}$	
Spectral Line Half-Width	$\Delta\lambda$		26		nm	$I_F=20\text{mA}$	
Forward Voltage Per Dice	V_F		3.2	3.5	V	$I_F=20\text{mA}$	
Reverse Current Per Dice	I_R			100	μA	$V_R=5\text{V}$	
Luminous Intensity Matching Rate	Iv-m			2.0:1		$I_F=20\text{mA}$	

The DISPLAYS should be kept at 30°C or less and 60%RH or less. The DISPLAYS should be used within one year.